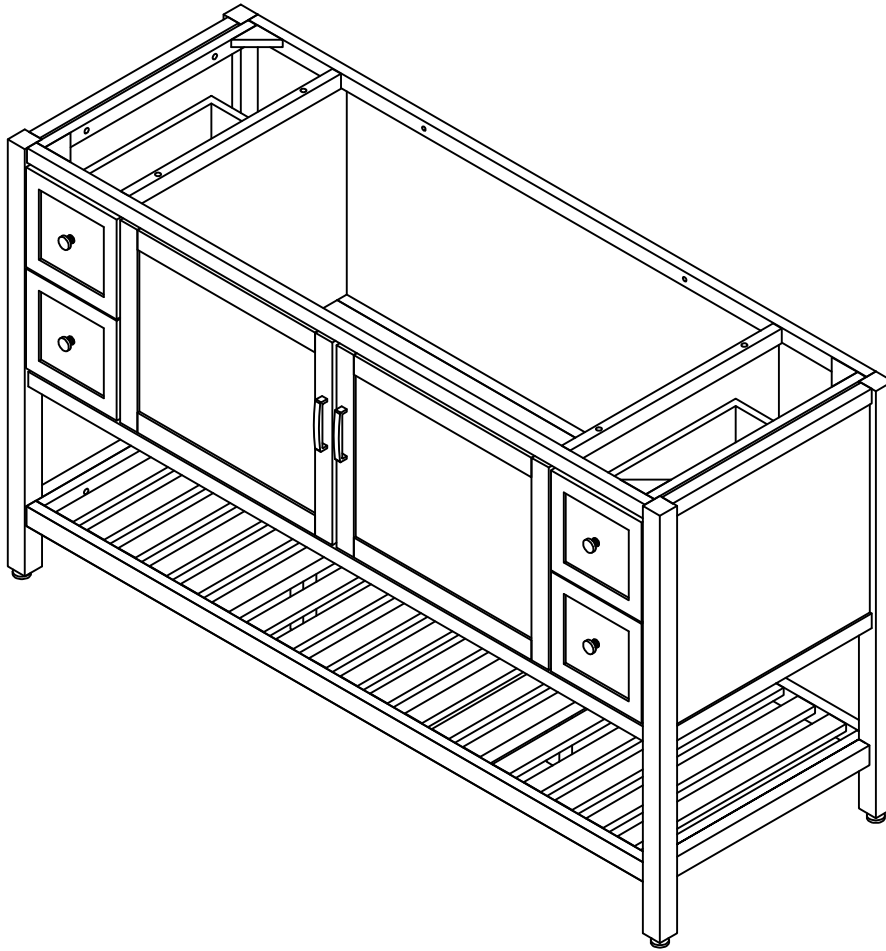


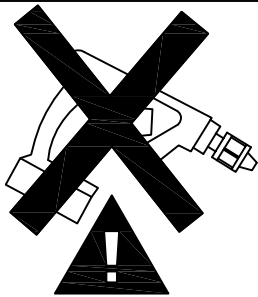
ASSEMBLY INSTRUCTION

60" Vanity

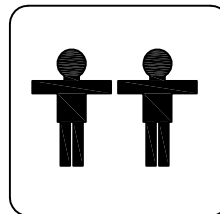


REPLACEMENT PARTS

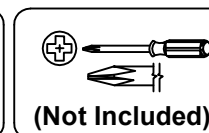
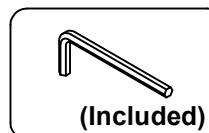
Please do not contact the company purchased from as we can help you faster.
Order replacement parts and hardware at " www.boltonfurniture.com "



. Use of power tool to assemble this product will invalidate any claim and damage this product making it unsafe !!!
. Please assemble on a clean soft surface to avoid damage.

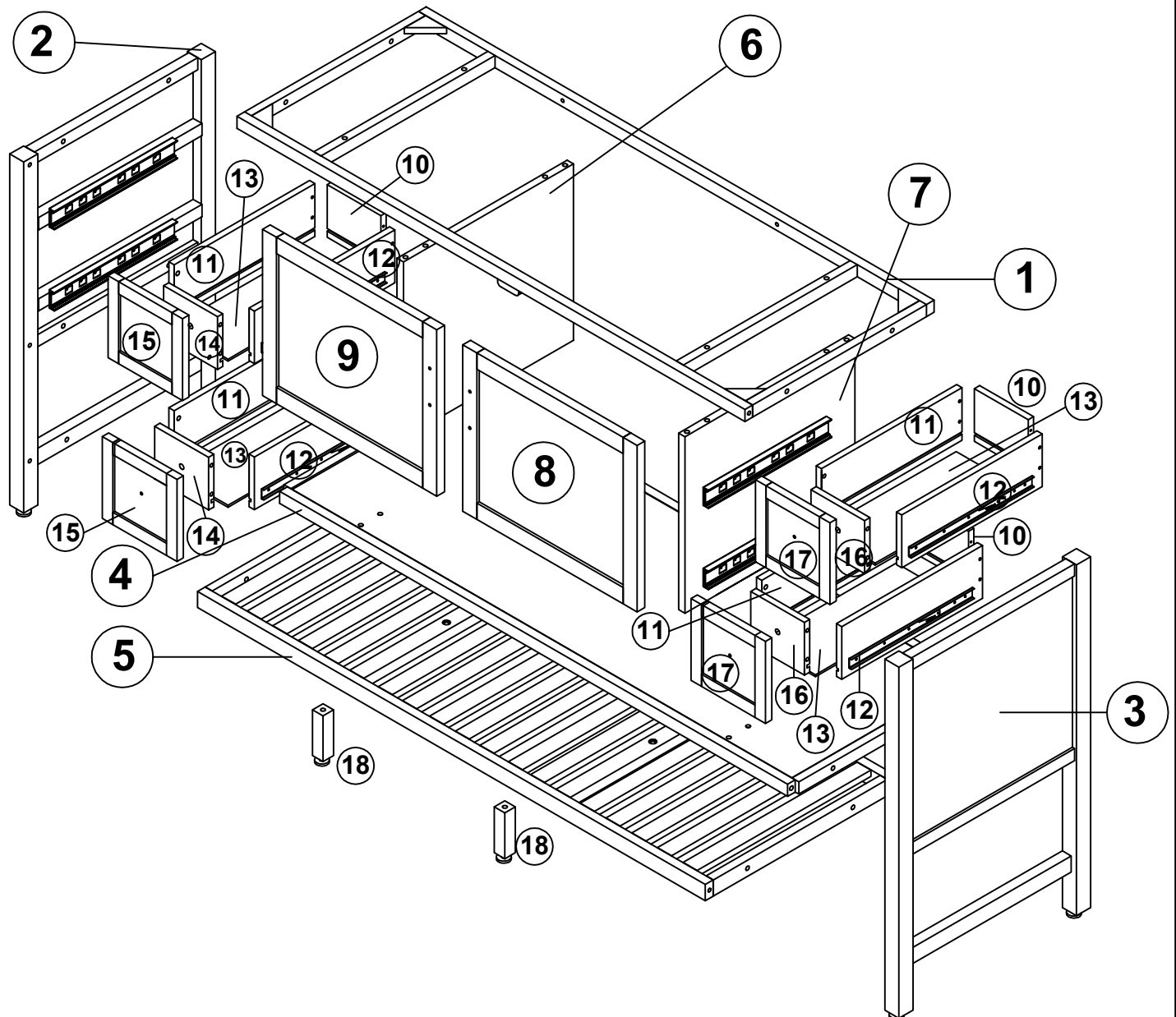


Tools Required



www.boltonfurniture.com


Part list - 60" Vanity



Identifying the hardware-Identify the hardware using the illustrations below


A  **14**
Ø8*30mm Wood Dowel

B  **22**
M6*45mm Bolt


C  **22**
Ø6*16mm Washer


D  **04**


E  **24**
3.5*15mm Screw

F  **02**

G  **04**
4*25mm Screw

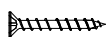
H  **04**

I  **04**
4*20mm Screw


J  **08**

K  **64**
3.5*12mm Screw

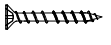
L  **06**

M  **32**
4*25mm Screw


N  **02**
4*50mm Screw

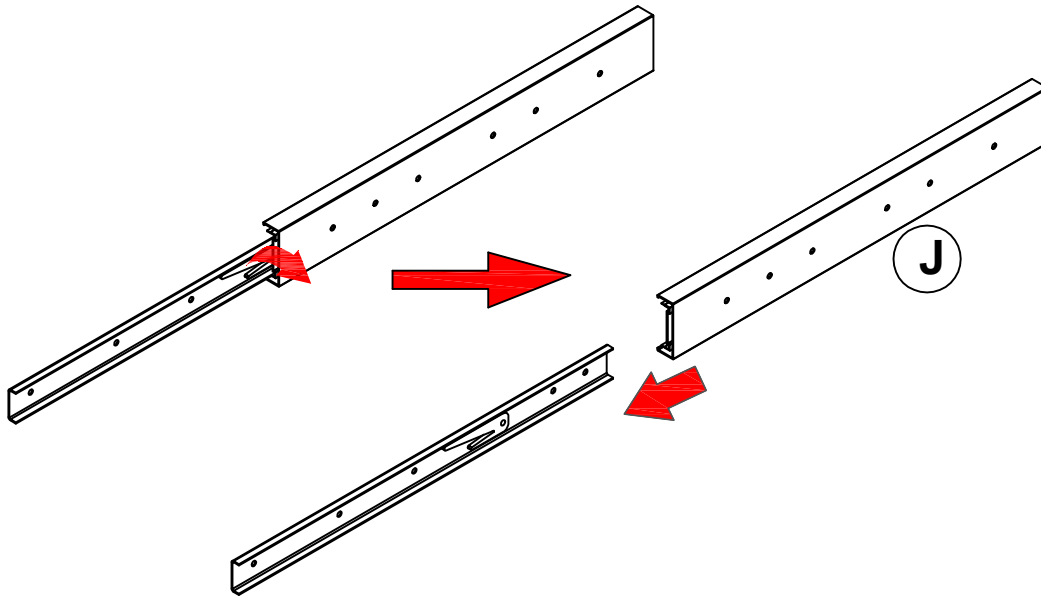
O  **01**

P  **32**
Ø6*20mm Wood Dowel

Q  **16**
4*20mm Screw

Step 01


J  08

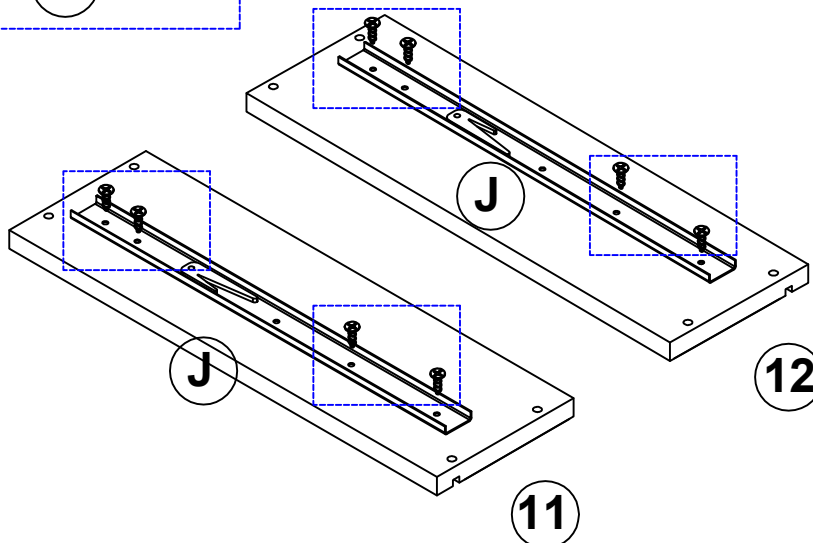
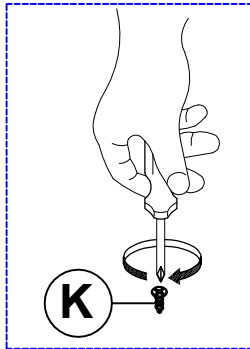


X8

Step 02

K  32
3.5*12mm Screw


 01

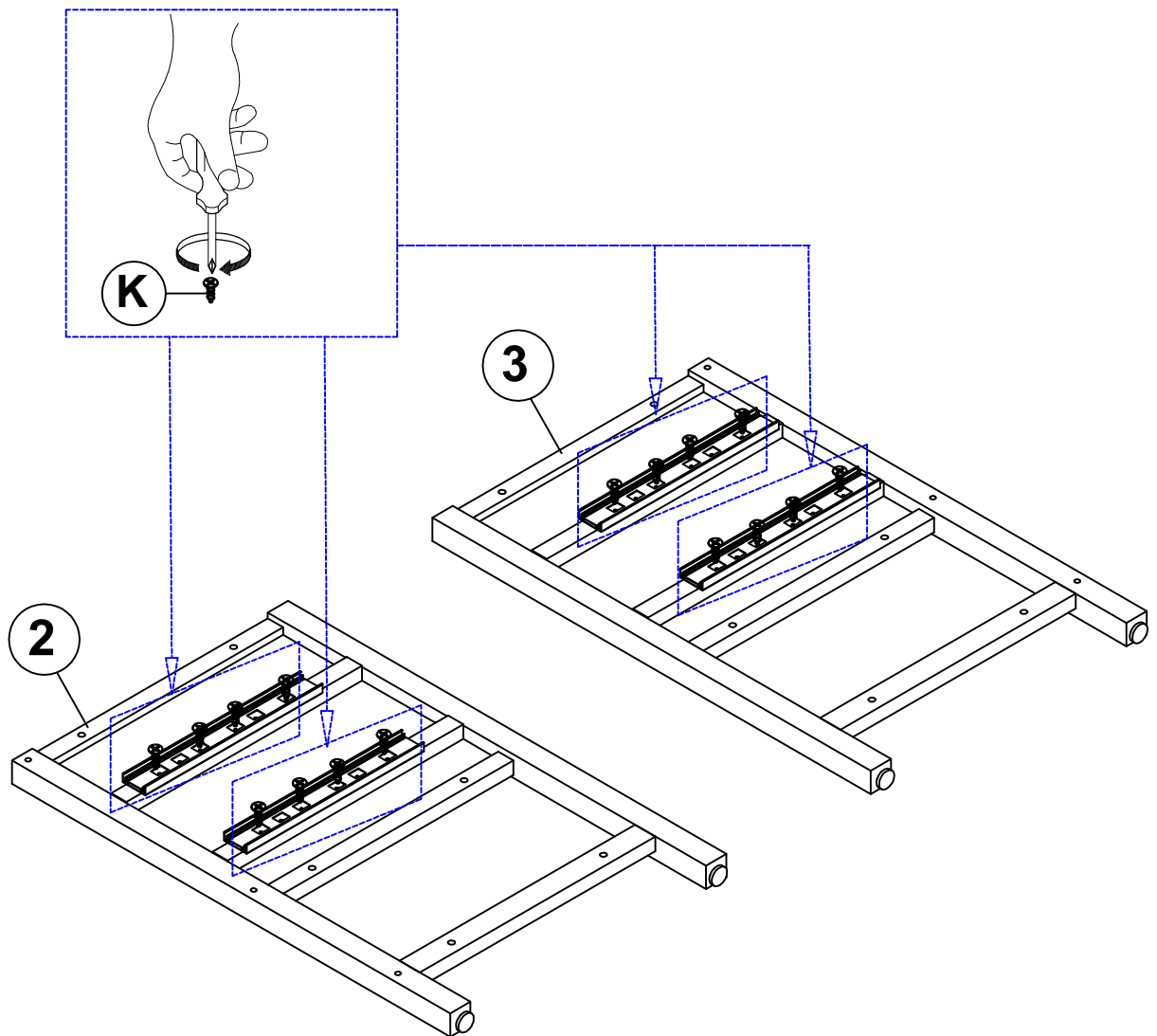


X4

Step 03


K  **16**
3.5*12mm Screw

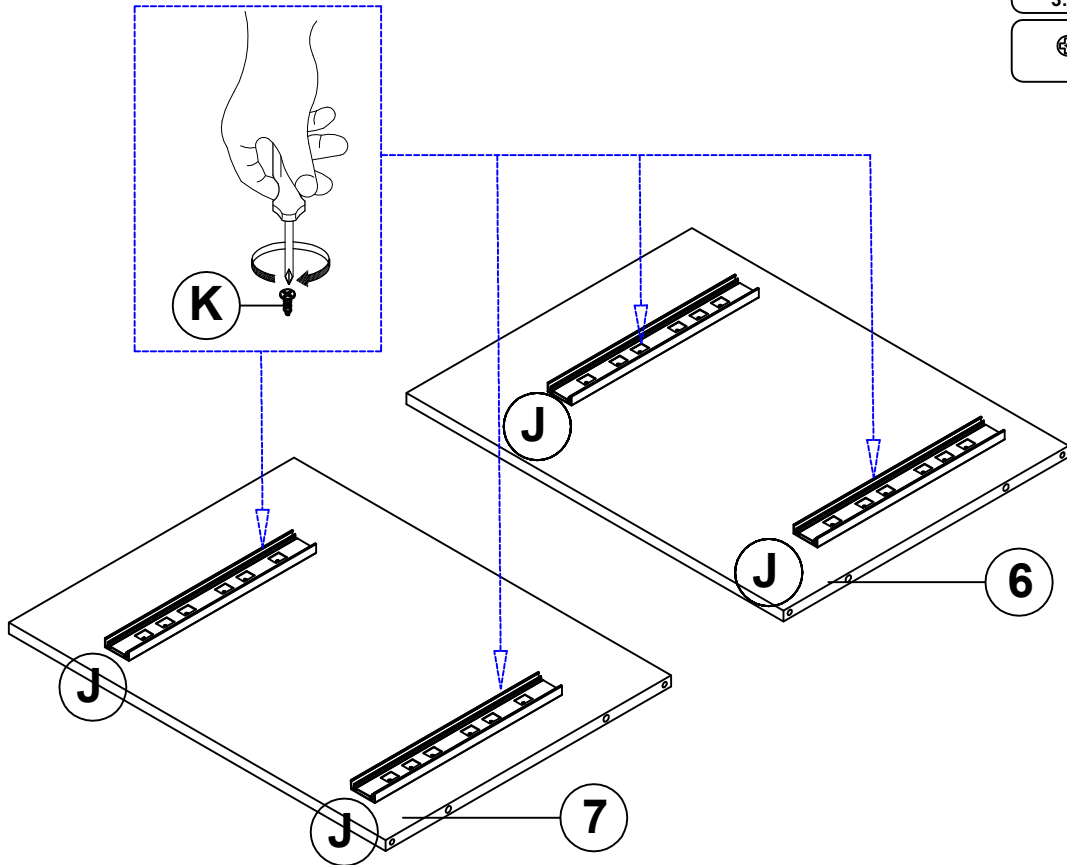
 **01**



Step 04

K  **16**
3.5*12mm Screw

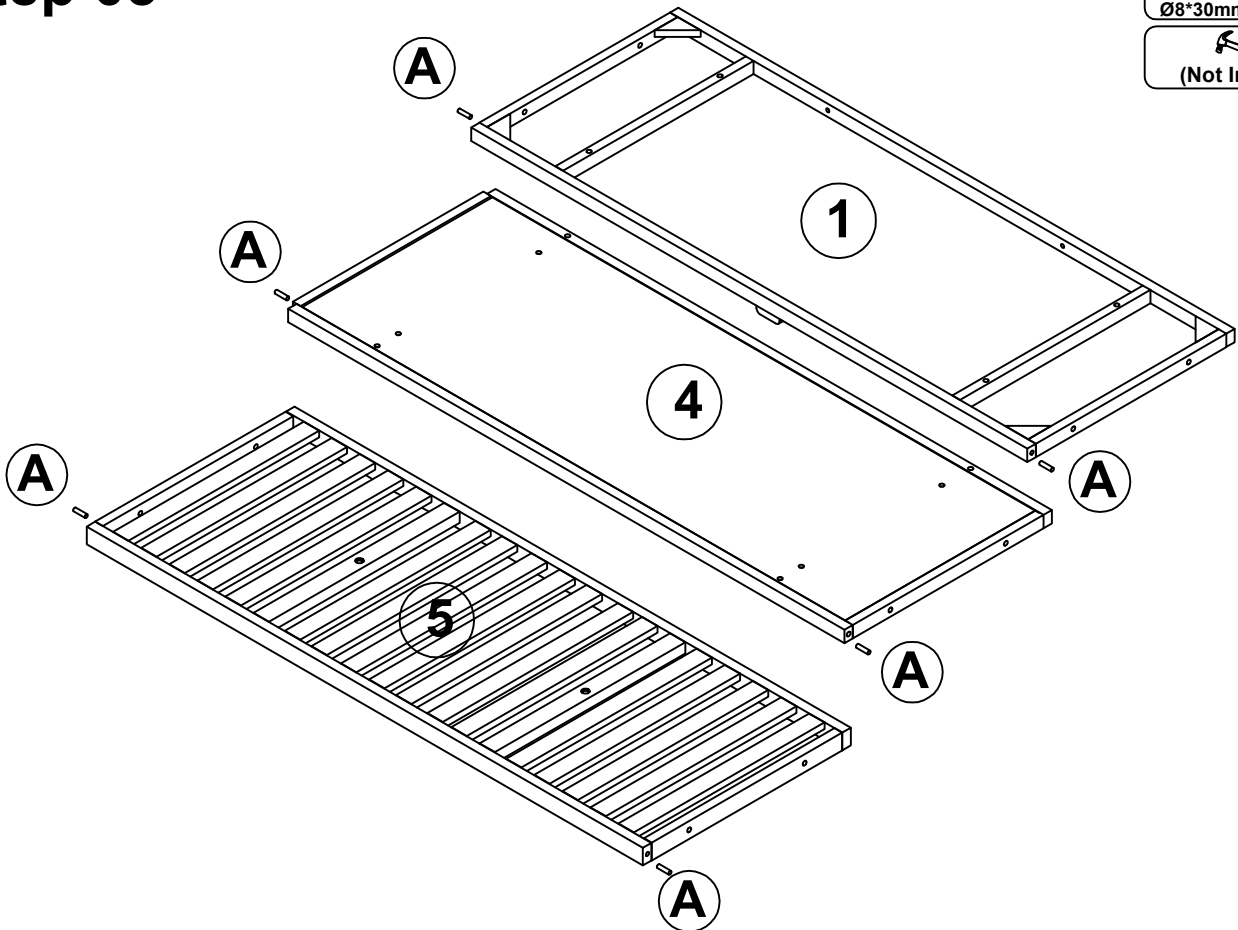
 **01**



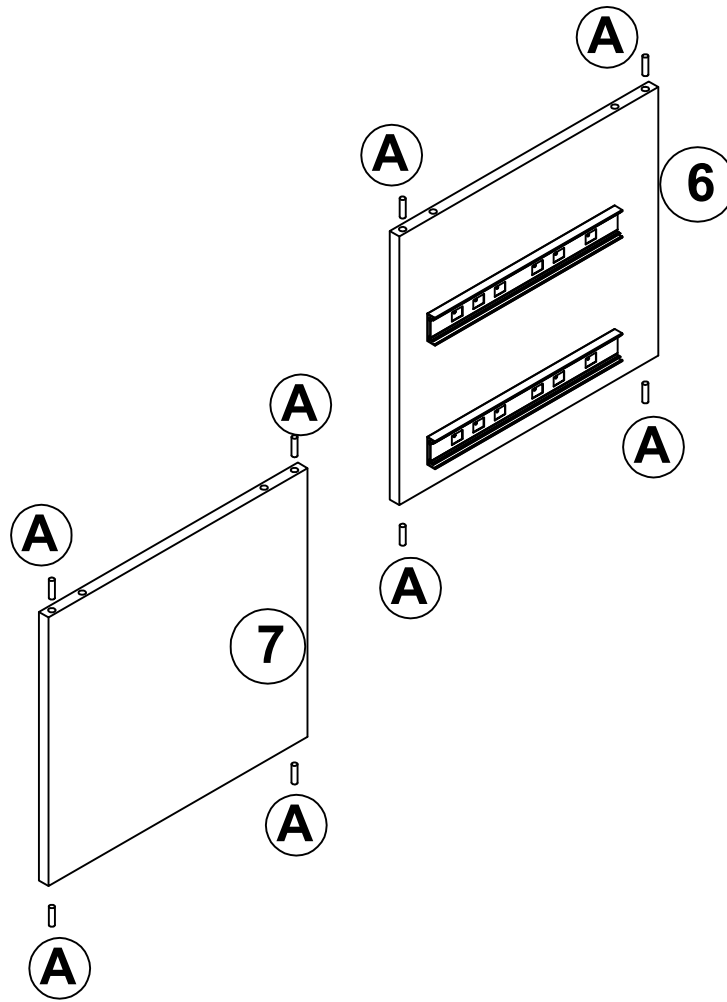
Step 05

A  **06**
Ø8*30mm Wood Dowel

 **01**
(Not Included)



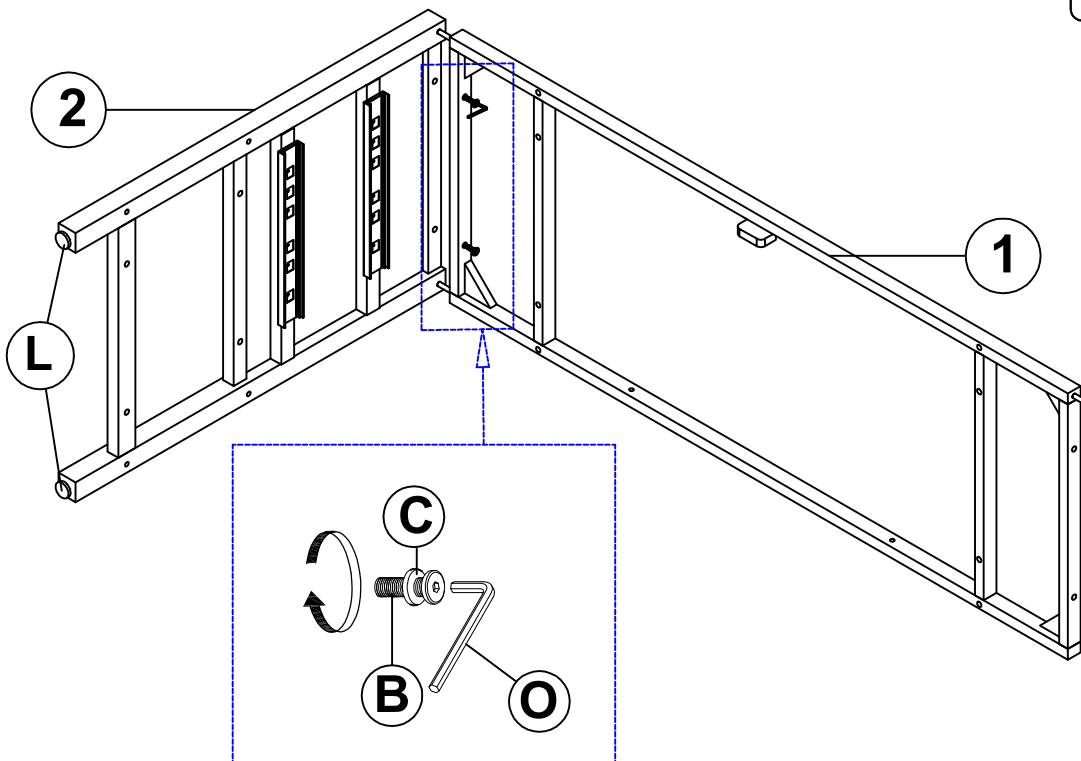
Step 06



A  **08**
Ø8*30mm Wood Dowel


 **01**
(Not Included)

Step 07



B  **02**
M6*45mm Bolt

C  **02**
Ø6*16mm Washer

O  **01**

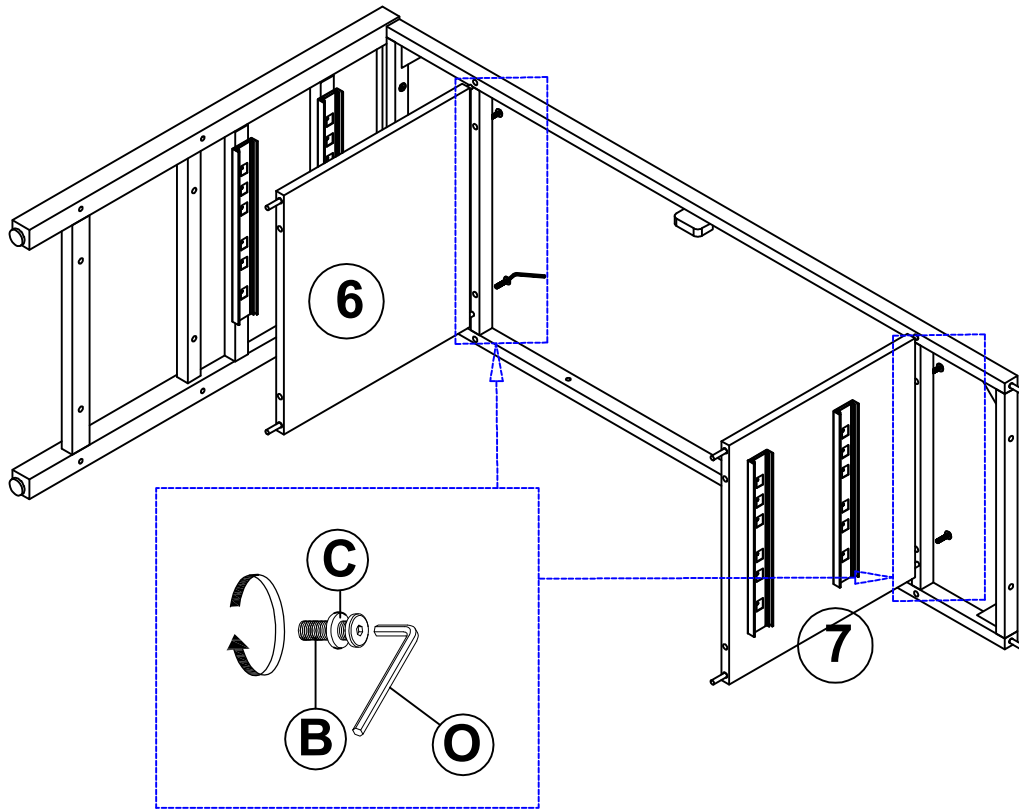
Note: Do not tighten bolts firmly at this time

Step 08

B  **04**
M6*45mm Bolt

C  **04**
Ø6*16mm Washer

O  **01**

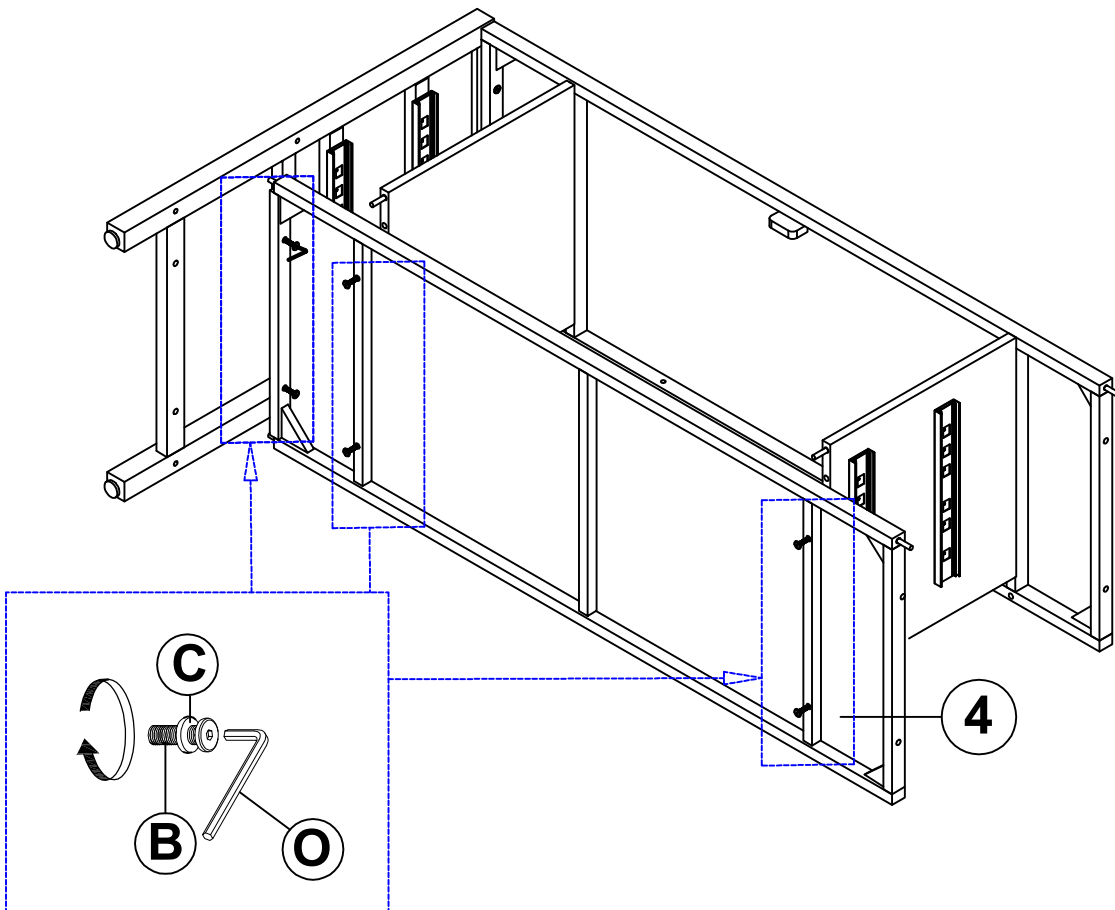


Step 09

B  **06**
M6*45mm Bolt

C  **06**
Ø6*16mm Washer

O  **01**

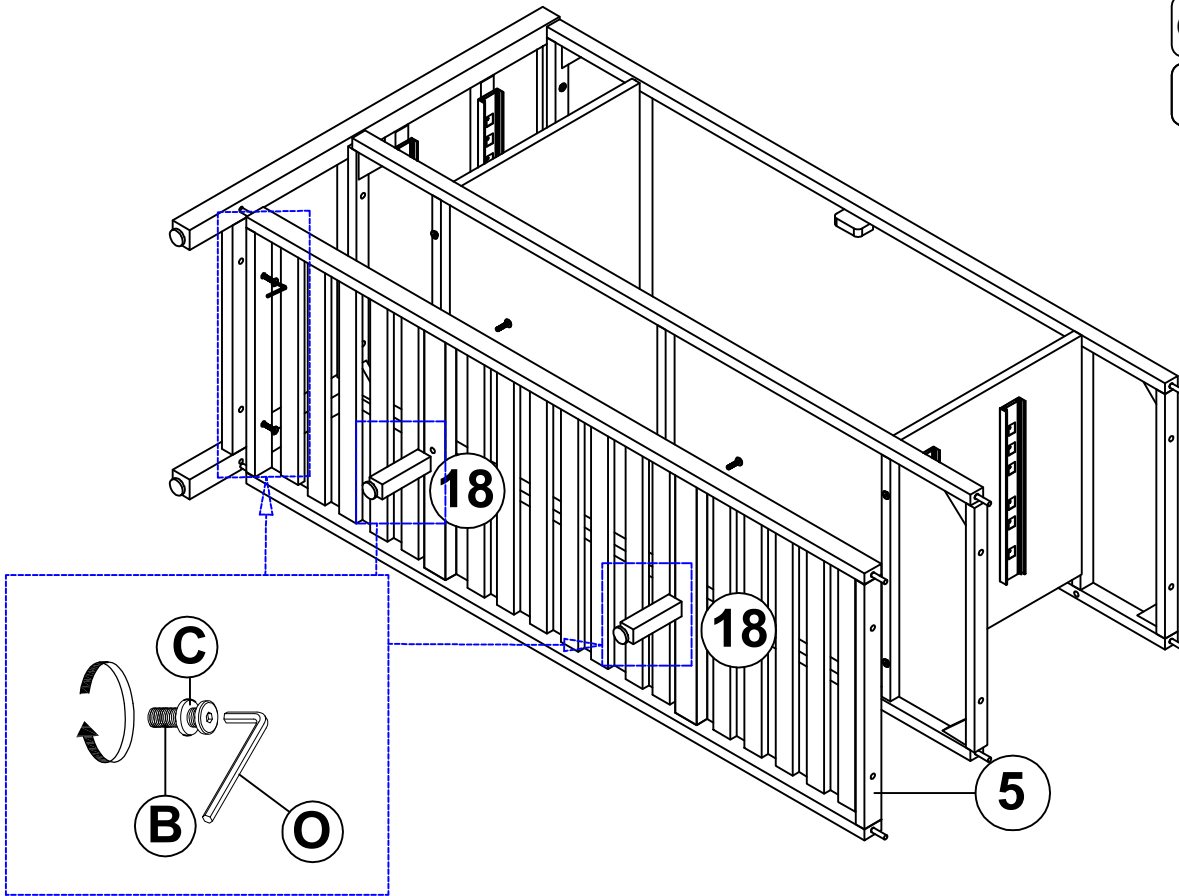


Step 10

B  **04**
M6*45mm Bolt

C  **04**
Ø6*16mm Washer

O  **01**

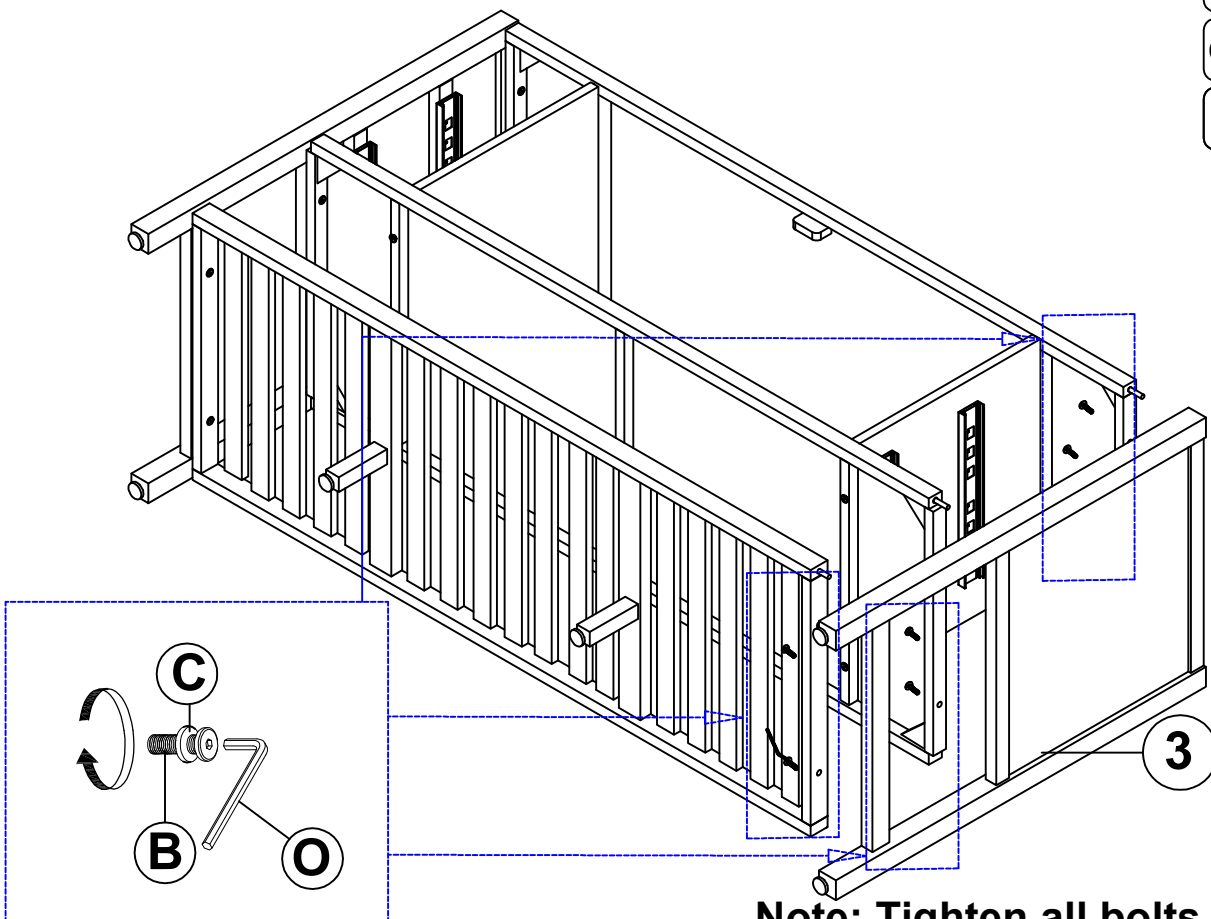


Step 11

B  **06**
M6*45mm Bolt


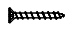

C  **06**
Ø6*16mm Washer

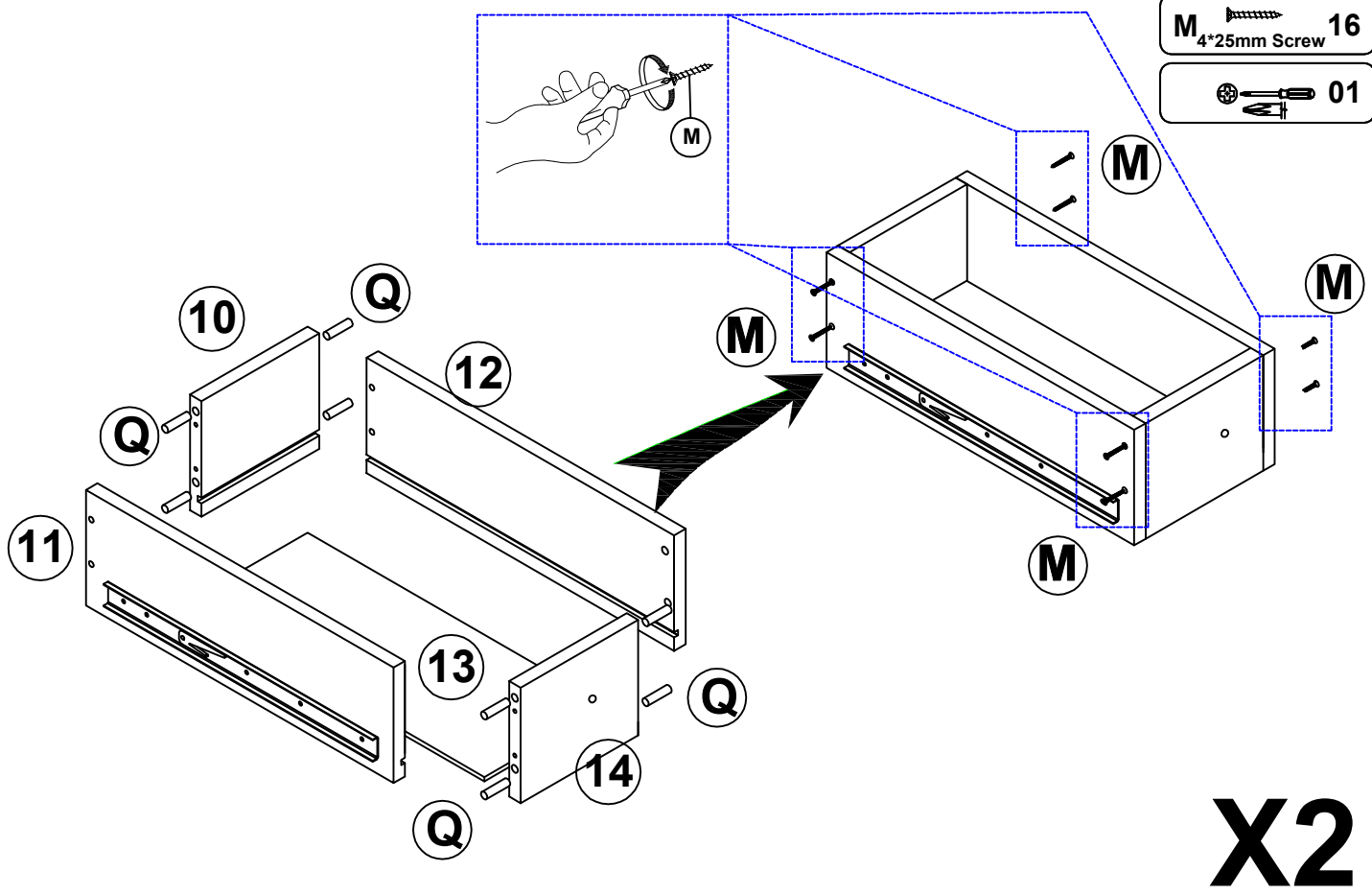
O  **01**




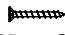

Note: Tighten all bolts at this time

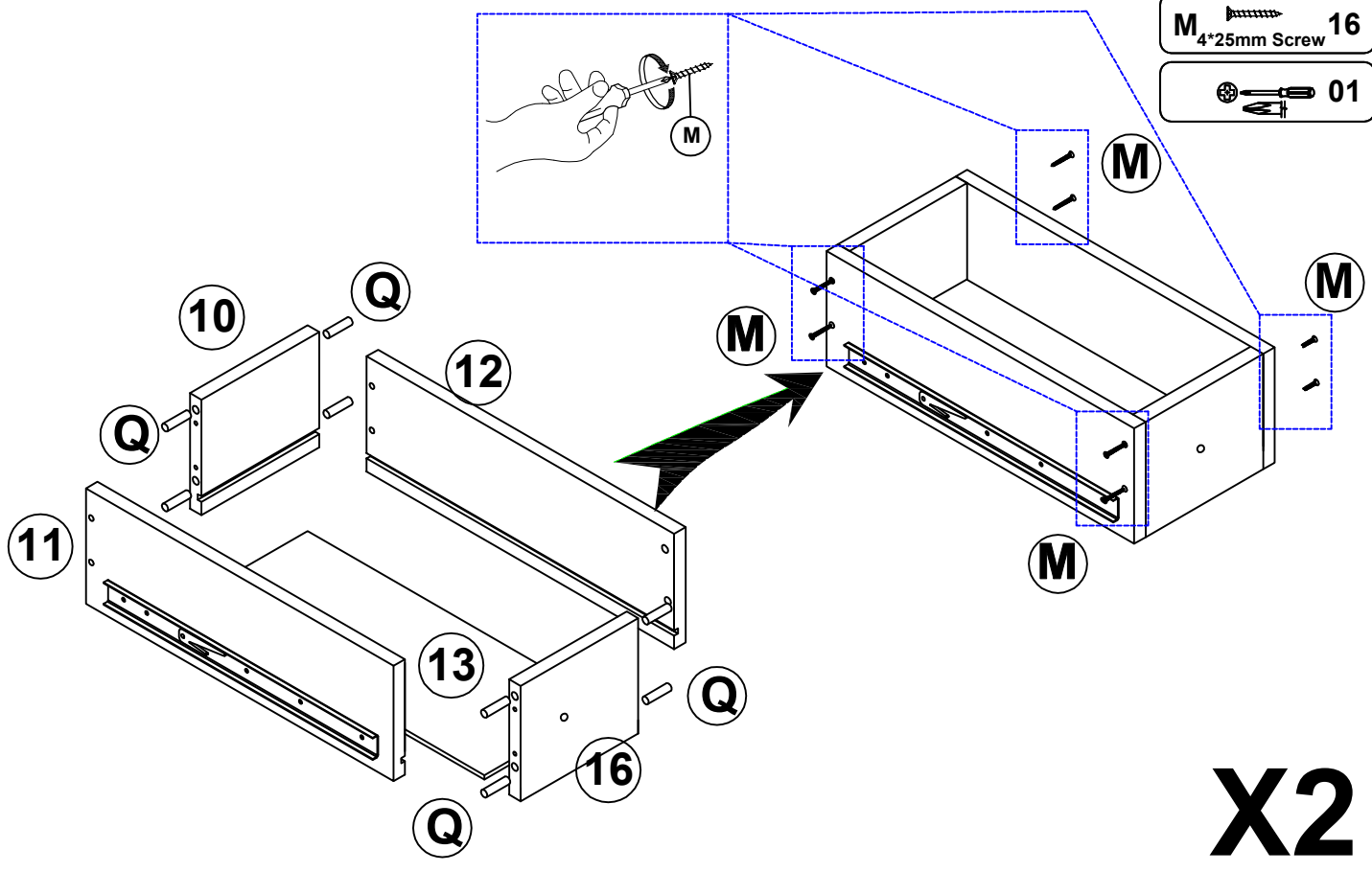
Step 12

- Q  16
Ø6*20mm Wood Dowel
- M  16
4*25mm Screw
-  01



Step 13

- Q  16
Ø6*20mm Wood Dowel
- M  16
4*25mm Screw
-  01

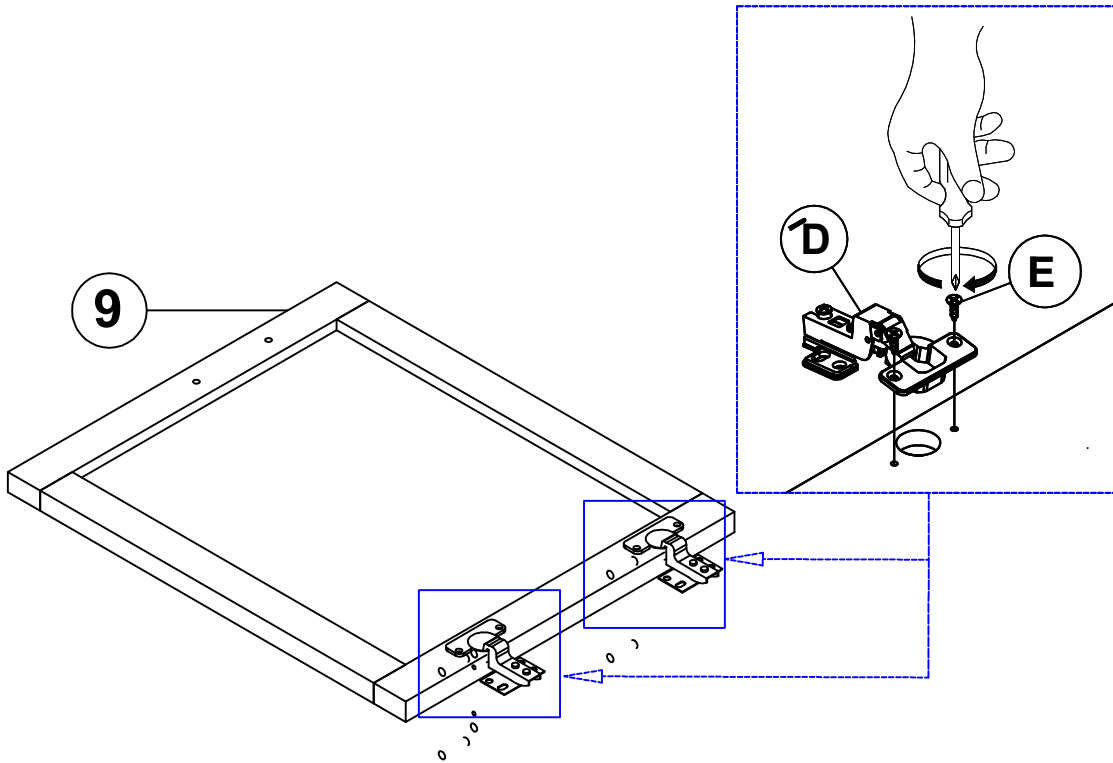


Step 14

D  02

E  04
3.5*15mm Screw

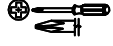
 01

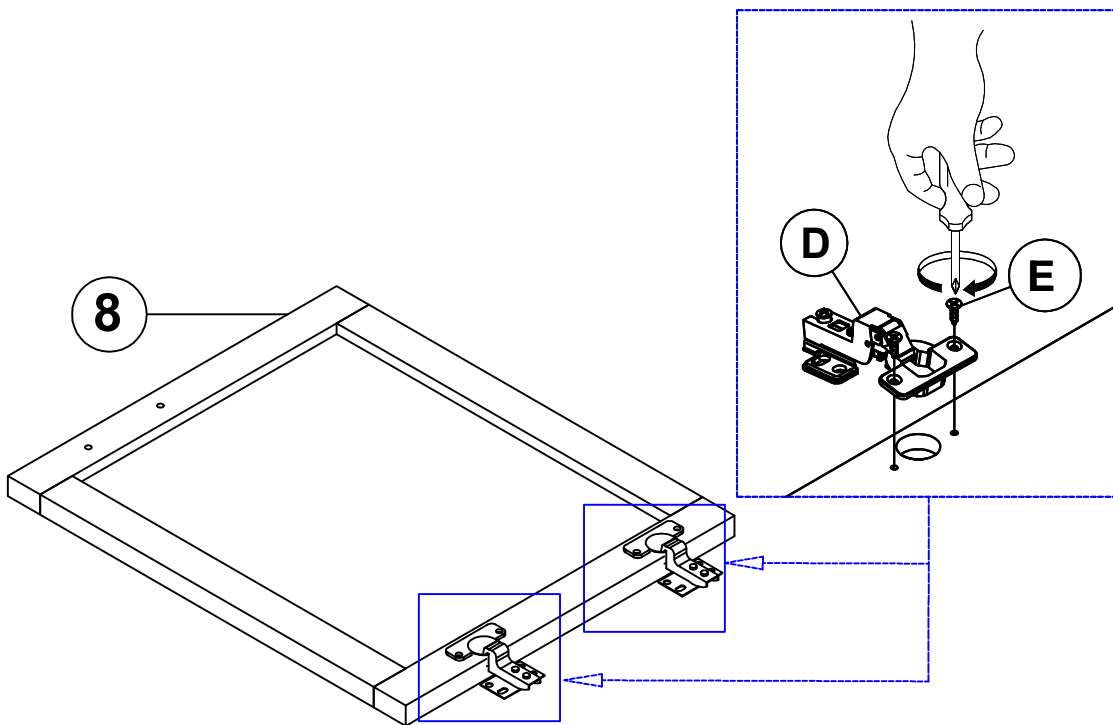


Step 15

D  02

E  04
3.5*15mm Screw

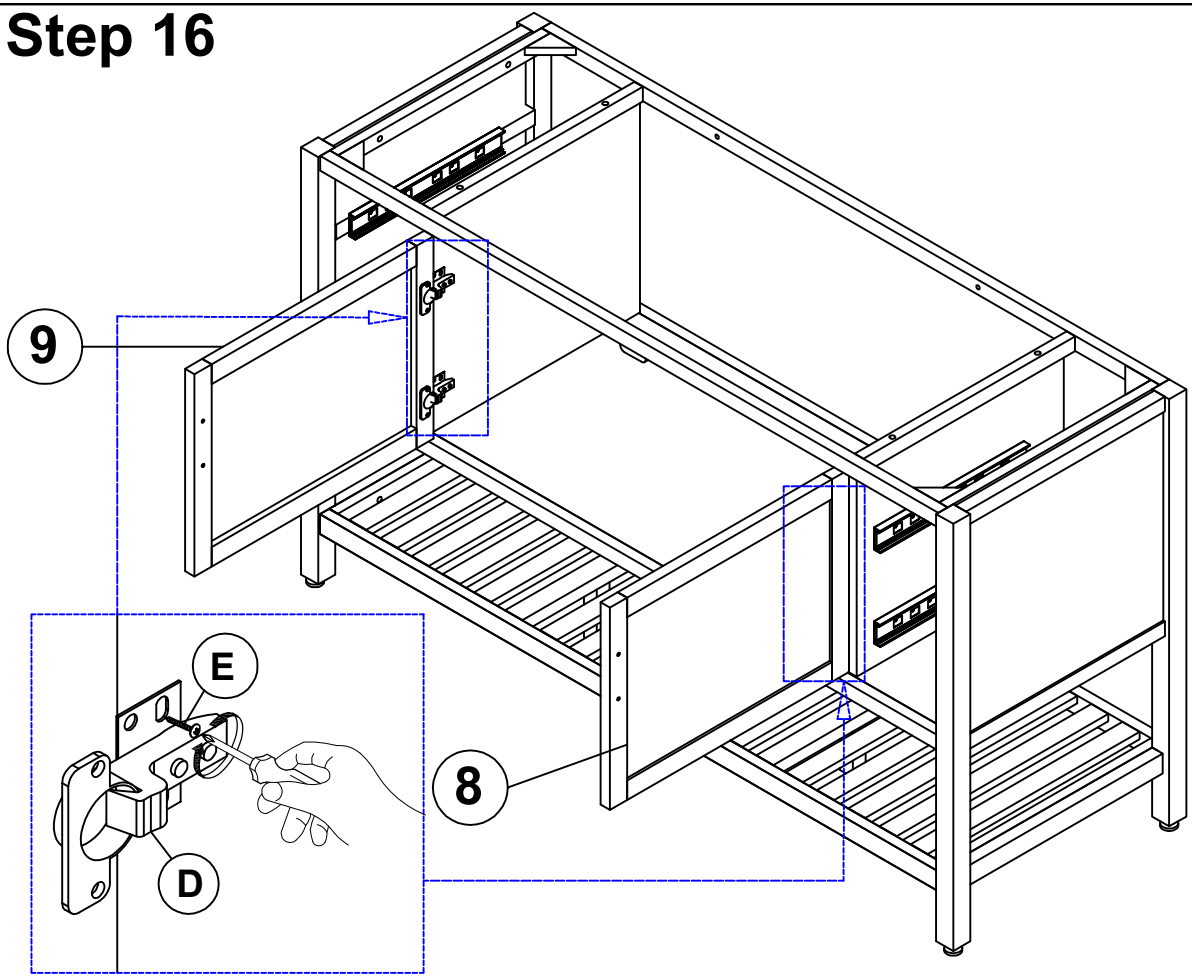
 01



Step 16

E 3.5*15mm Screw 16

01

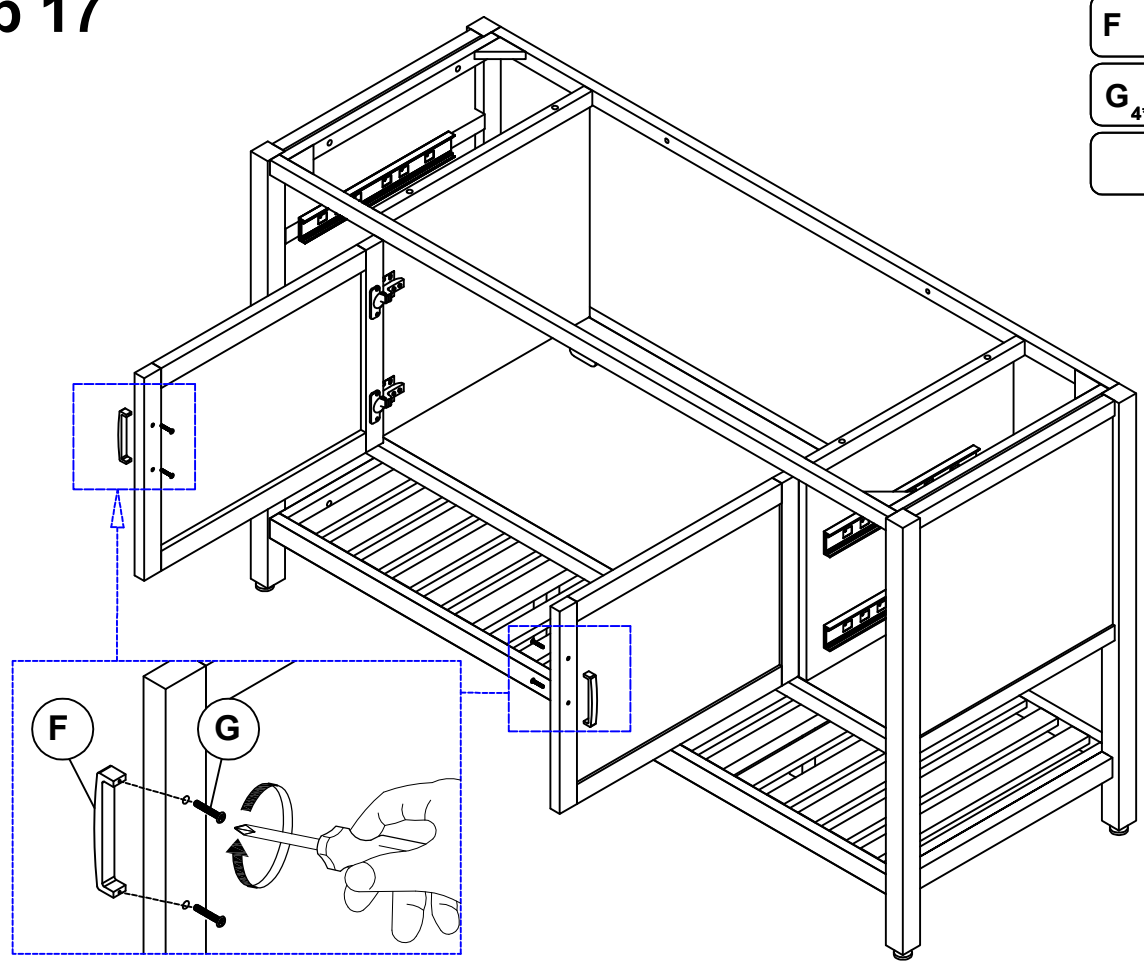


Step 17

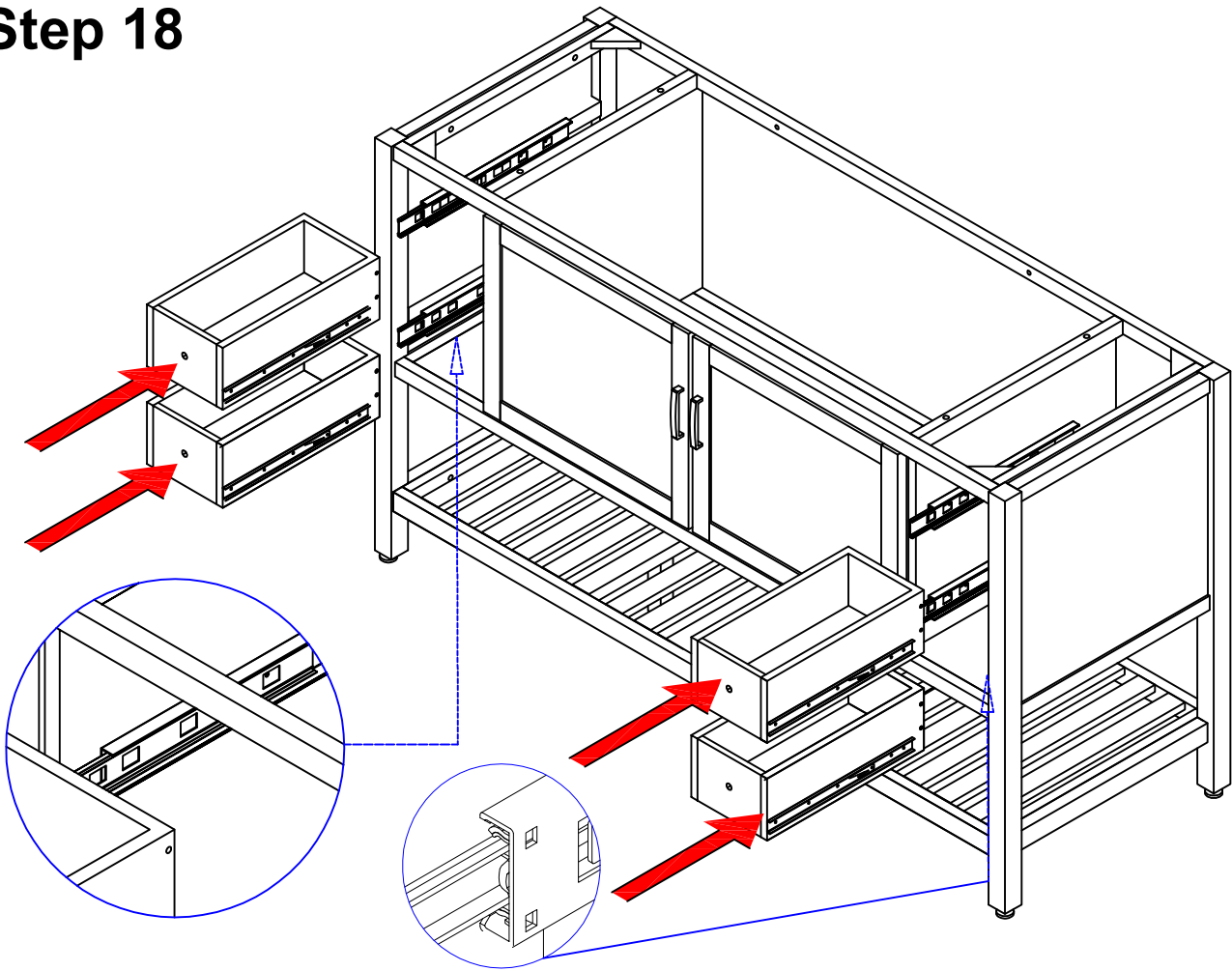
F 02

G 4*25mm Screw 04

01

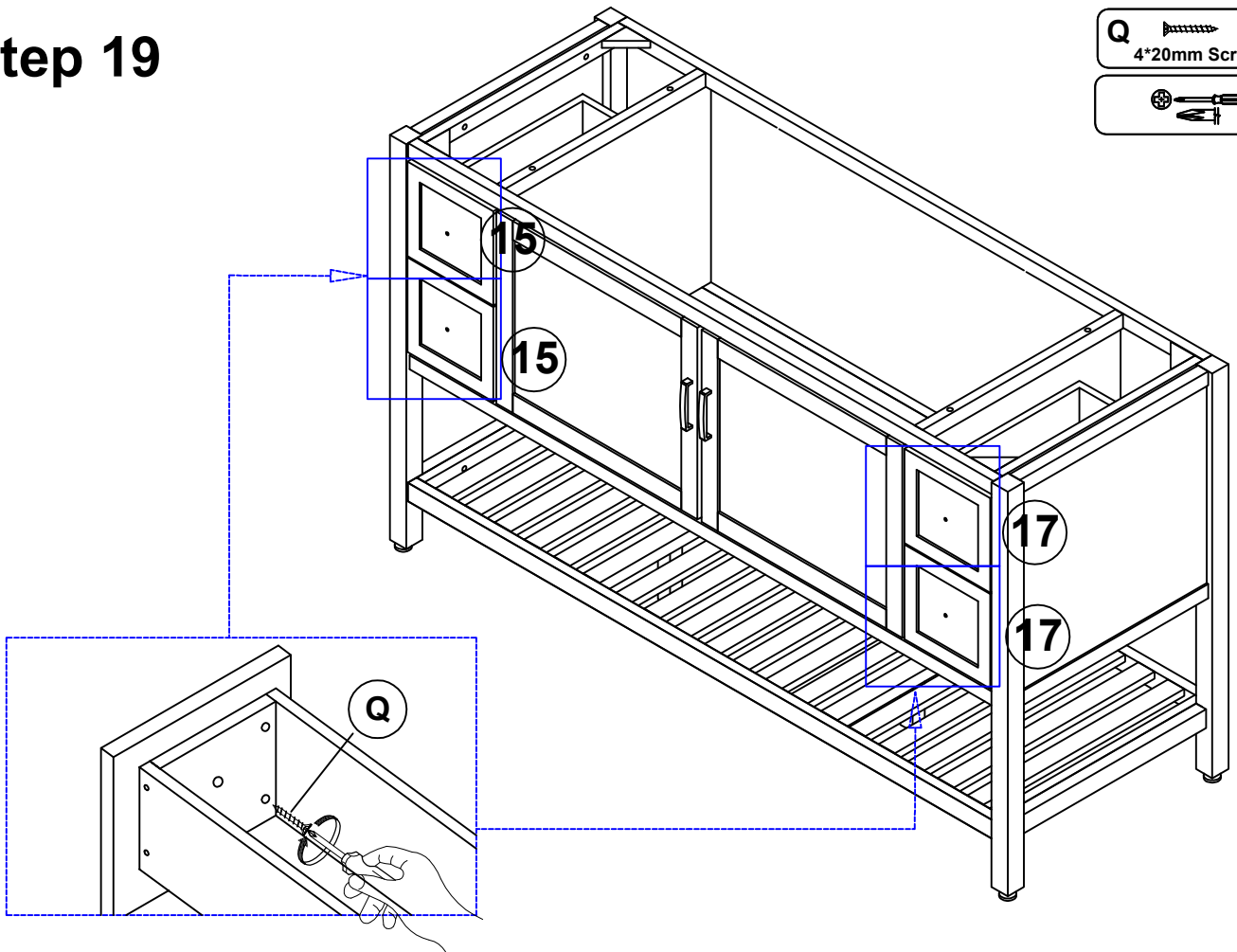


Step 18



Step 19

- Q 16
4*20mm Screw
- 01



Step 20

- . Mark the location of the Studs in the wall on the stretcher rail.
- . Drill a 1/16" thru hole in the center of the Stretcher Rail at the location of the studs in the wall.
- . Secure the Vanity to the wall using screws (N)
Make sure the screws align with the Studs in the wall.

N 4*50mm Screw 02

01

H 04

I 4*20mm Screw 04

